



## RAM AIRCRAFT, LP

7505 Karl May Drive • Waco Regional Airport • P.O. Box 5219 • Waco, TX 76708  
Phone: (254) 752-8381 • Fax: (254) 752-3307 • www.ramaircraft.com

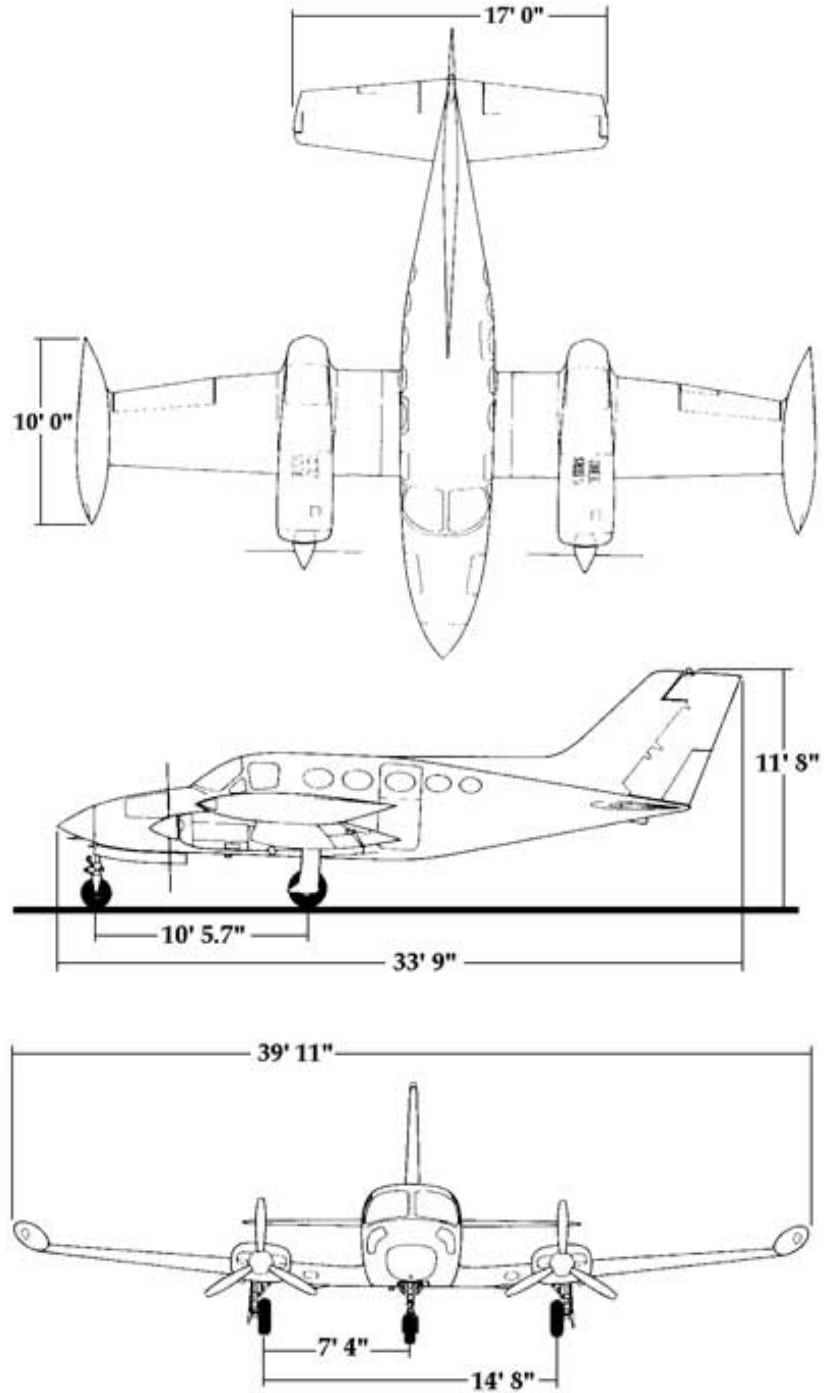
**ENGINES • PARTS • PROPELLERS • ACCESSORIES • STC'S**

### Performance - Cessna 414 RAM - Series IV and VI

Primary Specifications	Cessna 414	RAM 325 hp Series IV	RAM 335 hp Series VI
Engine Model: Continental - TSIO-520	-J	-NB	-NB
Horsepower:	310	325	335
TBO - hours	1,400	1,600	1,600
Fuel - with 63 gal. Aux. - useable - gallons	163	163	163
Takeoff Manifold Pressure @ 2700 RPM	36"	41"	41"
Takeoff Runway Acceleration - 0 to 100 mph	25 sec.	19 sec.	19 sec.
Twin Climb - ISA - Cessna @ 6,350 lbs. / RAM @ 6,510	1580 fpm	1790 fpm	1900 fpm
Single Climb - ISA - Cessna @ 6,350 lbs. / RAM @ 6,510	240 fpm	275 fpm	310 fpm
Climb Power - ISA + 30°F - RPM & MP	2450 & 31.5"	2500 & 35.0"	2500 & 35.0"
Cruise Climb - SL to 18,000 ft - min.	24	18	18
Cruise @ 75% - ISA - 20,000 ft. - ktas	205	215	218
Cruise @ 65% - ISA - 20,000 ft. - ktas	190	200	203
Cruise @ 55% - ISA - 20,000 ft. - ktas	175	185	188
Useful Load Increase - lbs.	NA	+160	+415
Ramp Weight - lbs.	NA	6,550	6,800
Gross Weight - lbs.	6,350	6,510	6,765
Landing Weight - lbs.	6,200	6,200	6,430
Zero Fuel Weight - lbs.	6,165	6,165	6,165

Performance should vary from airplane to airplane, atmospheric day to atmospheric day, one gross weight and CG to another, and pilot to pilot.

## Cessna 414 Dimensions



Performance is based on a mid CG with mid cabin and fuel weight on an average day. Performance should always be calculated per flight environment while referring to the Manufacturer's Pilots Operating Handbook and applicable Flight Manual Supplements for the particular airplane. Aircraft Manufacturer's Pilot Operating Handbooks and Aircraft Owner's Manuals should always be available and adhered to by the aircraft Pilot in Command, including attention to applicable FAA approved Flight Manual Supplements and emergency procedures for each individual aircraft. Performance should vary from airplane to airplane, atmospheric day to atmospheric day, one gross weight and CG to another, and pilot to pilot.

RAM Aircraft, LP • 7505 Karl May Drive • P.O. Box 5219 • Waco, TX 76708  
 Phone: (254) 752-8381 • Fax: (254) 752-3307 • [www.ramaircraft.com](http://www.ramaircraft.com)

